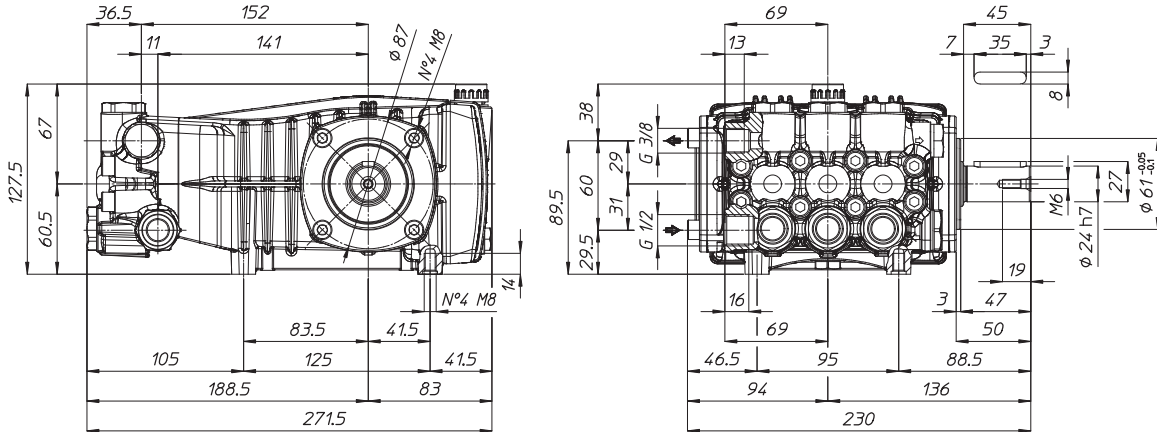


B SERIES DIMENSIONS

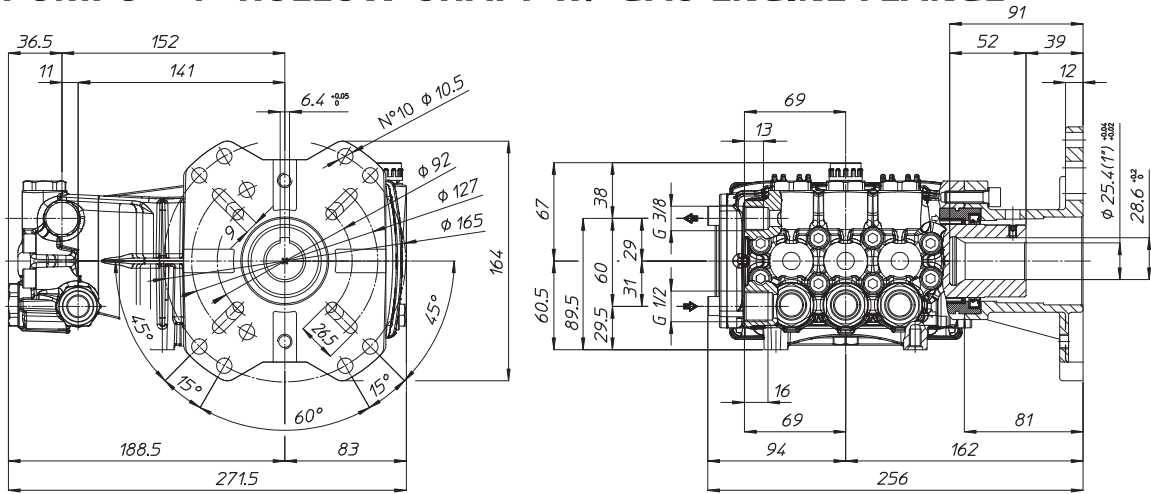
WEIGHT - SOLID SHAFT	20 LBS
WEIGHT - GAS ENGINE FLANGE	23 LBS
WEIGHT - ELECTRIC MOTOR FLANGE	23 LBS
LUBRICATION	16 OZ UDOR LUBE

*Dimensional Drawings are
Shown in Millimeters.
To Convert to Inches,
Multiply Dimension x 0.03937*

B SERIES PUMPS - 24MM SOLID SHAFT



B SERIES PUMPS - 1" HOLLOW SHAFT w/ GAS ENGINE FLANGE



B SERIES PUMPS - 1-1/8" HOLLOW SHAFT w/ 182/184 FLANGE

