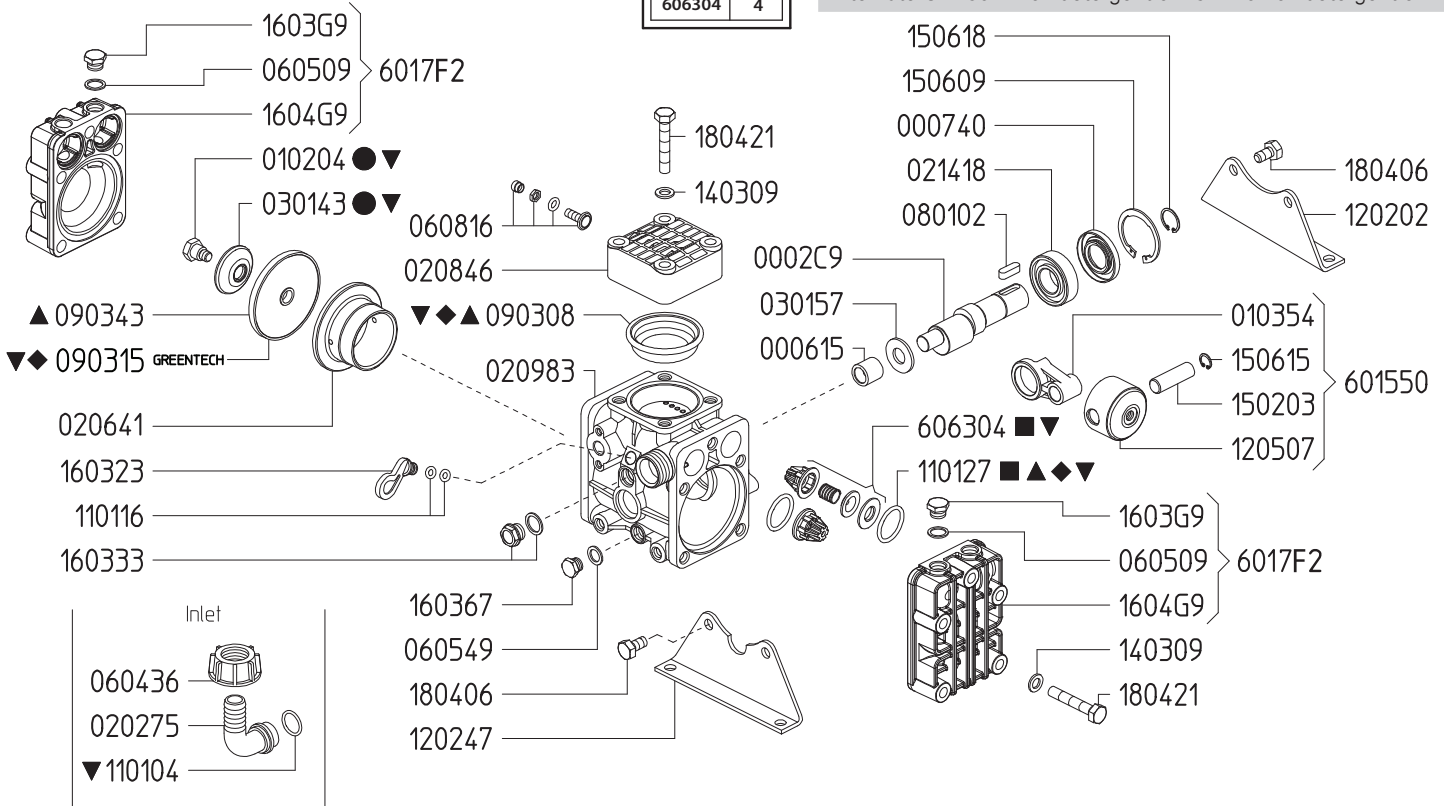


|                                 |                          |
|---------------------------------|--------------------------|
| Maximum Flow                    | 9.5 GPM / 36 lpm         |
| Maximum Pressure                | 560 PSI / 38 bar         |
| Maximum RPM                     | 550 RPM                  |
| Inlet Port - Hose Barb          | 1" HB                    |
| Outlet Ports - Hose Barb, Valve | (2) 1/2" HB              |
| Bypass - Hose Barb              | 3/4" HB                  |
| Dimensions - Pump Only          | 8.5" L x 9.0" W x 9.5" H |
| Weight - with GR                | 28 lbs                   |

**Lubrication:** Requires 12 oz. of Udor Lube 40W Premium Pump Oil.  
Alternate Oil: 30W non-detergent or 15W-40 non-detergent oil.

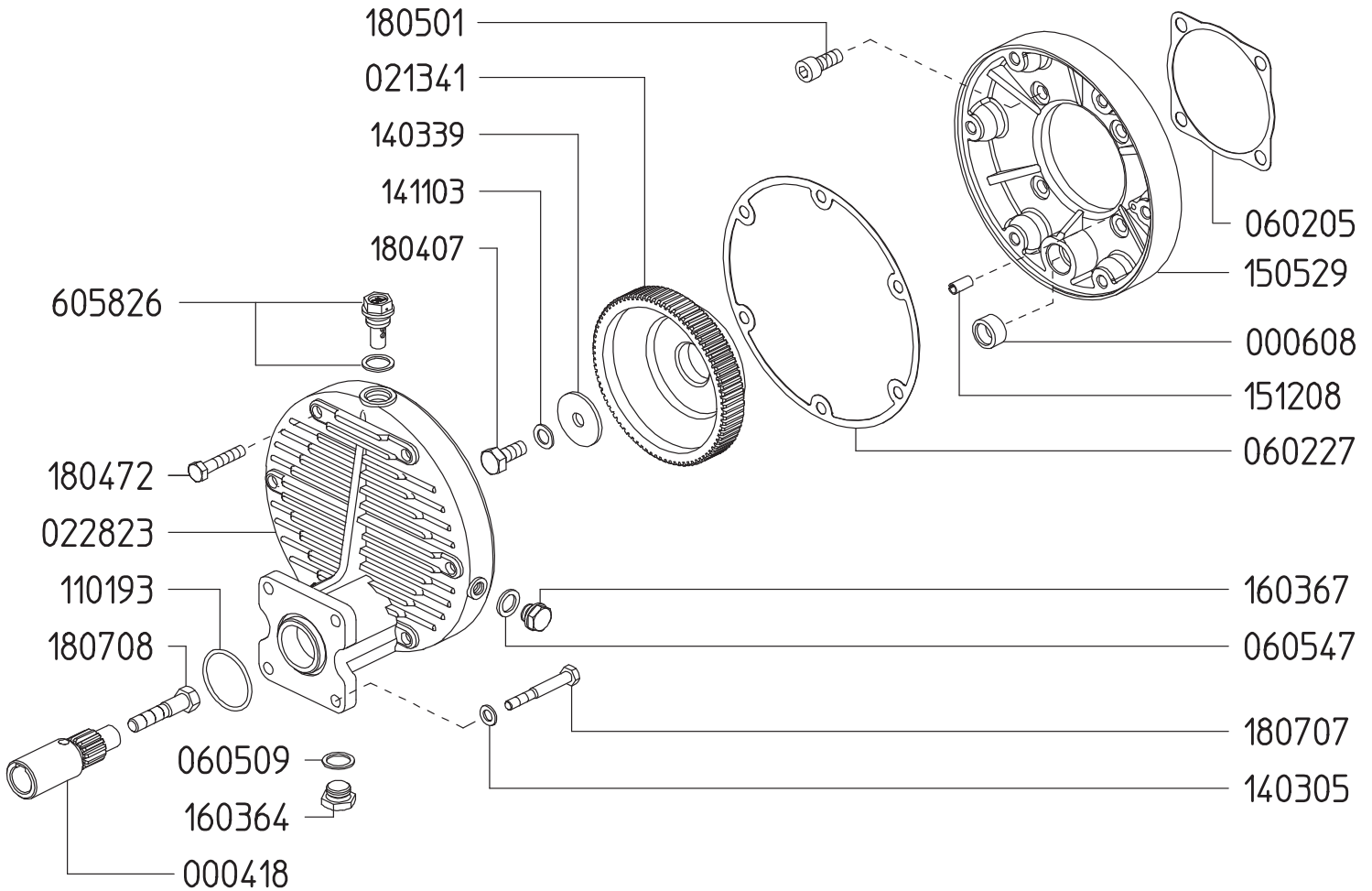
| 6062C1<br>KIT 618 |     | 6062B5<br>KIT 613 |     | 606242<br>KIT 541 |     | 6062B4<br>KIT 612 |     | 8700.65CK |     |
|-------------------|-----|-------------------|-----|-------------------|-----|-------------------|-----|-----------|-----|
| CODE              | QTY | CODE              | QTY | CODE              | QTY | CODE              | QTY | CODE      | QTY |
| 090308            | 1   | 090308            | 1   | 110127            | 4   | 010204            | 2   | 010204    | 2   |
| 090315            | 2   | 090343            | 2   | 606304            | 4   | 030143            | 2   | 030143    | 2   |
| 110127            | 4   | 110127            | 4   |                   |     |                   |     | 090308    | 2   |
|                   |     |                   |     |                   |     |                   |     | 090315    | 2   |
|                   |     |                   |     |                   |     |                   |     | 110104    | 1   |
|                   |     |                   |     |                   |     |                   |     | 110127    | 4   |
|                   |     |                   |     |                   |     |                   |     | 606304    | 4   |



Revised 6-14-2021

| Part #  | Description                              | Qty | Part #    | Description                                 | Qty |
|---------|--|-----|-----------|---|-----|
| 0002.C9 | SHAFT "KAPPA 32" GR                      | 1   | 1502.03   | PIN D15X48                                  | 2   |
| 0006.15 | BUSHING D16                              | 1   | 1506.09   | SNAP RING D52                               | 1   |
| 0007.40 | OIL SEAL D45                             | 1   | 1506.15   | SNAP RING D15                               | 2   |
| 0102.04 | DIAPHRAGM BOLT "DELTA/ZETA" ●▼           | 2   | 1506.18   | SNAP RING D25                               | 1   |
| 0103.54 | CONNECTING ROD "KAPPA 25/32"             | 2   | 1603.23   | OIL PLUG                                    | 1   |
| 0202.75 | HOSE BARB D25                            | 1   | 1603.33   | PLUG G3/8+GASKET                            | 1   |
| 0206.41 | SLEEVE D55 "KAPPA 32"                    | 2   | 1603.67   | PLUG G1/4                                   | 1   |
| 0214.18 | BALL BEARING D25                         | 1   | 1603.G9   | PLUG G3/8                                   | 4   |
| 0301.43 | DIAPHRAGM DISC "KAPPA 25/33/55/ZETA" ●▼  | 2   | 1604.G9   | HEAD "KAPPA 25/33/55"                       | 2   |
| 0301.57 | SPACER "KAPPA 15"                        | 1   | 1804.06   | HEX BOLT M8X40                              | 4   |
| 0604.36 | BARB NUT G1"                             | 1   | 1804.21   | HEX BOLT M10X55                             | 10  |
| 0605.09 | GASKET D17                               | 4   | 6015.50   | ROD ASSY "KAPPA 25/32" D55                  | 2   |
| 0605.49 | GASKET D13                               | 1   | 6017.F2   | HEAD ASSEMBLY                               | 2   |
| 0801.02 | KEY A8X7X25 UNI6604-69                   | 1   | 6063.04   | VALVE ASSY W/O O-RING ■▼                    | 4   |
| 0903.08 | ACCUMULATOR DIAPHRAGM ◆▲▼                | 1   | 6062.42   | IN/OUTLET VALVE KIT "KAPPA 25" (KIT 541)    | 1   |
| 0903.15 | PISTON DIAPHRAGM D90 - GREENTECH ◆▼      | 2   | 6062.B4   | DIAPHRAGM DISC "KAPPA 25/32" (KIT 612)      | 1   |
| 0903.43 | PISTON DIAPHRAGM D90 - BUNA ▲            | 2   | 6062.B5   | DIAPHRAGM KIT - BUNA (KIT 613)              | 1   |
| 1101.04 | O-RING - INLET HOSE BARB ▼               | 1   | 6062.C1   | DIAPHRAGM KIT - GREENTECH (KIT 618)         | 1   |
| 1101.16 | O-RING - OIL PLUG                        | 2   | 8700.65CK | COMPLETE REPAIR KIT                         | 1   |
| 1101.27 | O-RING - VALVE ◆▲■▼                      | 4   |           | ■ Parts in 6062.42 (Kit 541).               |     |
| 1202.02 | BASE PLATE "KAPPA 25/32/DELTA 40/50"     | 1   |           | ● Parts in 6062.B4 (Kit 612).               |     |
| 1202.47 | BASE PLATE "KAPPA 25/32"                 | 1   |           | ▲ Parts in 6062.B5 (Kit 613).               |     |
| 1205.07 | ALUMINIUM PISTON D55 "KAPPA 25/DELTA 40" | 2   |           | ◆ Parts in 6062.C1 (Kit 618).               |     |
| 1403.09 | WASHER D10.5                             | 10  |           | ▼ Parts in 8700.65CK (Complete Repair Kit). |     |

**GAS ENGINE GEAR REDUCTION FOR  
KAPPA 32, KAPPA 43, DELTA 40 DIAPHRAGM PUMPS  
on GAS ENGINES with 3/4" SHAFTS  
REQUIRES 16 OZ. 90W GEAR LUBE**

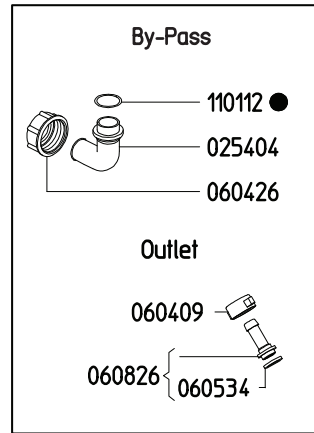
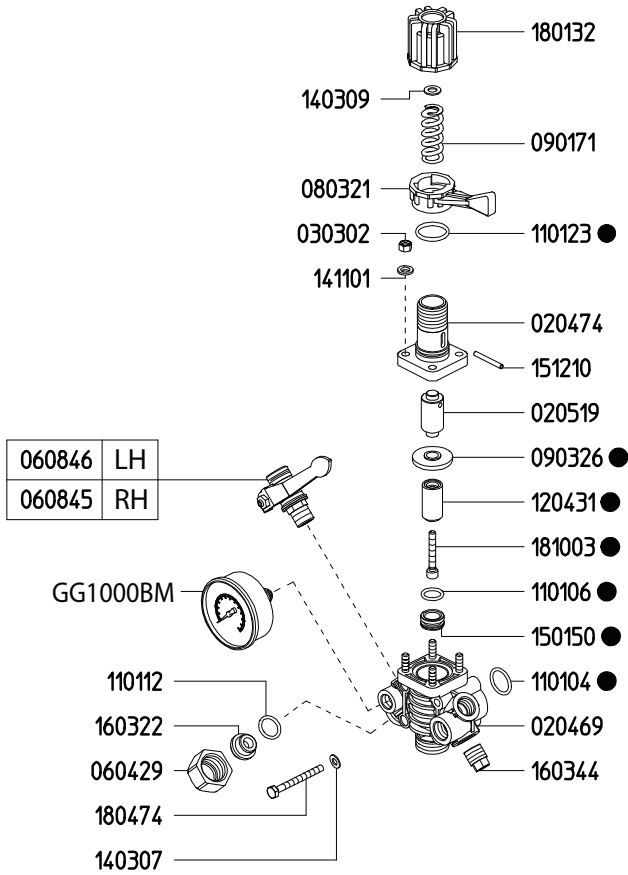


Revised 2-1-2021

| Part #  | Description        | Qty | Part #  | Description            | Qty |
|---------|--------------------|-----|---------|------------------------|-----|
| 0004.18 | GEAR SHAFT - 3/4"  | 1   | 1411.03 | SERATED WASHER D10     | 1   |
| 0006.08 | BEARING            | 1   | 1505.29 | GEAR CASE - PUMP       | 1   |
| 0213.41 | PUMP GEAR - VA     | 1   | 1512.08 | ALIGNMENT PIN          | 1   |
| 0228.23 | GEAR CASE - ENGINE | 1   | 1603.64 | OIL PLUG G3/8          | 1   |
| 0602.05 | GASKET             | 1   | 1603.67 | OIL PLUG G1/4          | 1   |
| 0602.27 | GASKET             | 1   | 1804.07 | HEX BOLT M10X25        | 1   |
| 0605.09 | GASKET - ALUMINUM  | 1   | 1804.72 | HEX BOLT M8X50         | 6   |
| 0605.47 | GASKET - ALUMINUM  | 1   | 1805.01 | ALLEN BOLT M10X25      | 4   |
| 1101.93 | O-RING             | 1   | 1807.07 | HEX BOLT 5/16 X 1"     | 4   |
| 1403.05 | WASHER D8.4        | 4   | 1807.08 | HEX BOLT 5/16 X 2-1/4" | 1   |
| 1403.39 | WASHER D11         | 1   | 6058.26 | VENTED OIL CAP         | 1   |

# 6010.93 CONTROL UNIT

|                                 |                    |
|---------------------------------|--------------------|
| Maximum Flow                    | 27.0 GPM / 102 lpm |
| Maximum Pressure                | 560 PSI / 28 bar   |
| Inlet Port - Hose Barb          | -                  |
| Outlet Ports - Hose Barb, Valve | (2) 1/2" HB        |
| Bypass - Hose Barb              | 3/4" HB            |



| 6062A9  |     |
|---------|-----|
| KIT 608 |     |
| CODE    | QTY |
| 090326  | 1   |
| 110104  | 1   |
| 110106  | 1   |
| 110112  | 1   |
| 110123  | 1   |
| 120431  | 1   |
| 150150  | 1   |
| 181003  | 1   |

Revised 5-3-2021

| Part #  | Description                            | Qty |
|---------|--|-----|
| 0254.04 | BYPASS HOSE BARB - STRAIGHT (OPTIONAL) | 1   |
| 0204.69 | BODY                                   | 1   |
| 0204.70 | BODY                                   | 1   |
| 0205.19 | CYLINDER                               | 1   |
| 0254.04 | BYPASS HOSE BARB - ELBOW               | 1   |
| 0303.02 | NUT                                    | 4   |
| 0604.09 | BARB NUT                               | 2   |
| 0604.26 | BYPASS BARB NUT                        | 1   |
| 0604.29 | NUT                                    | 1   |
| 0605.34 | GASKET                                 | 2   |
| 0608.26 | 1/2" HOSE BARB W/GASKET                | 2   |
| 0608.45 | BALL VALVE - RIGHT                     | 1   |
| 0608.46 | BALL VALVE - LEFT                      | 1   |
| 0803.21 | LEVER                                  | 1   |
| 0901.71 | SPRING (HP 560 PSI)                    | 1   |
| 0903.26 | DIAPHRAGM ●                            | 1   |
| 1101.04 | O-RING ●                               | 1   |

| Part #   | Description                                   | Qty |
|----------|---|-----|
| 1101.06  | O-RING ●                                      | 1   |
| 1101.12  | O-RING ●                                      | 2   |
| 1101.23  | O-RING ●                                      | 1   |
| 1204.31  | POPPET ●                                      | 1   |
| 1403.07  | WASHER  | 6   |
| 1501.50  | SEAT ●  | 1   |
| 1512.10  | PIN   | 1   |
| 1603.22  | PLUG  | 1   |
| 1603.44  | PLUG  | 1   |
| 1801.32  | ADJUSTMENT KNOB                               | 1   |
| 1804.74  | BOLT  | 2   |
| 1810.03  | STAINLESS STEEL BOLT ●                        | 1   |
| 6062.A9  | REPAIR KIT FOR 6010.9X CONTROL UNIT (KIT 608) | 1   |
| GG1000BM | PRESSURE GAUGE - 1000 PSI BACK MOUNT          | 1   |

● Parts Included in Repair Kit #6062.A9 (KIT 608)

The control unit features a manual dump valve, pressure control knob, glycerine filled pressure gauge, and two ball valve discharge ports.

1. Before operating or re-operating the pump move lever (0803.21) to the dump position (Right) so the pump will start at zero pressure. (Failure to do so will void the pump warranty.)
2. Turn pressure adjustment knob (1801.32) counter clockwise to relieve spring tension. This step only applies to the initial start up and is not necessary in daily operation of pump.
3. Start unit and let run until air is evacuated from the system.
4. Move lever (0803.21) to the pressure position (Left) open spray gun or spray boom and turn the pressure adjustment knob (1801.32) clockwise until desired operating pressure is achieved.

All Dimensions are WITHOUT Control Unit or Regulator

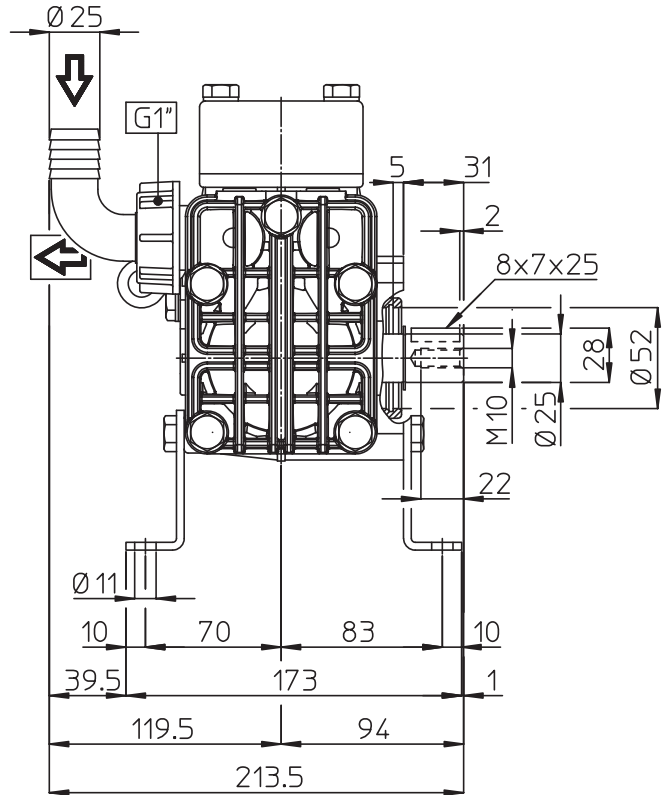
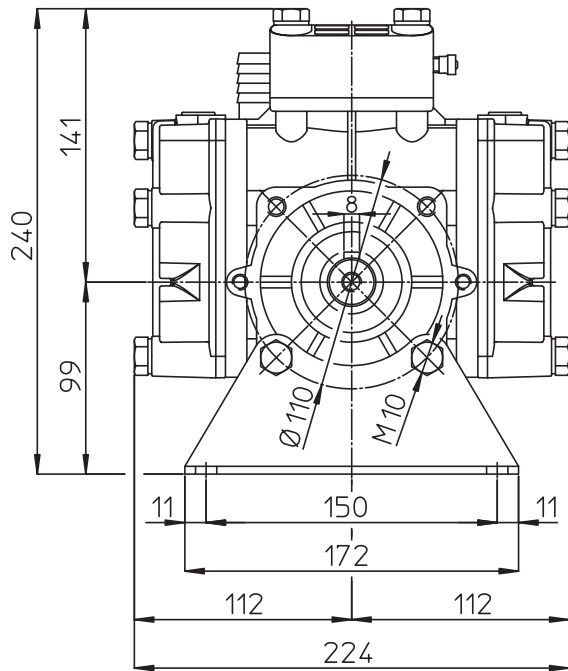
Dimensional Drawings are Shown in Millimeters. To Convert to Inches, Multiply Dimension x 0.03937

### Specifications

### KAPPA 32

|                          |                              |
|--------------------------|------------------------------|
| Inlet Port - Hose Barb   | 1" HB                        |
| Outlet Ports - Hose Barb | (2) 1/2" HB                  |
| Bypass - Hose Barb       | 3/4" HB                      |
| Dimensions               | 8.5" L x 9.0" W x 9.5" H     |
| Diaphragm Material       | GREENTECH (Std) Buna-N (Opt) |

**Lubrication:** Requires 20 oz. of Udor Lube 40W Premium Pump Oil. Alternate Oil: 30W non-detergent or 15W-40 non-detergent oil.



## TORQUE SPECS

| Ref. | Description                       | Ft./lb. | Nm |
|------|-----------------------------------|---------|----|
| 1    | Diaphragm Bolts (Use Loctite 243) | 18      | 25 |
| 2    | Head Bolts                        | 30      | 40 |
| 3    | Pulsation Dampener Bolts          | 30      | 40 |
| 4    | Inlet Flange Bolts                | -       | -  |
| 5    | Bearing Flange Bolts              | -       | -  |
| 6    | Oil Cup Bolts                     | -       | -  |
| 7    | Valve Cover Bolts                 | -       | -  |

