



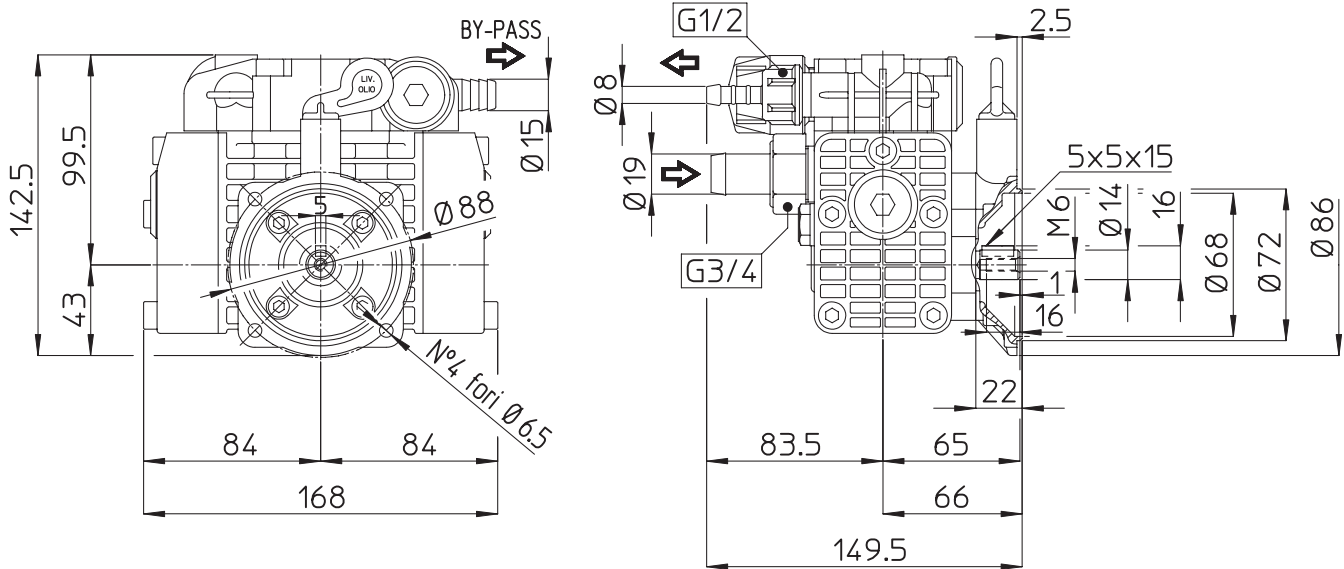
# KAPPA 7/15/18 DIMENSIONS

All Dimensions are WITHOUT Control Unit or Regulator

Dimensional Drawings are Shown in Millimeters. To Convert to Inches, Multiply Dimension x 0.03937

Specifications	KAPPA 7	KAPPA 15	KAPPA 18
Inlet Port - Hose Barb	3/4" HB	3/4" HB	3/4" HB
Outlet Ports - Hose Barb	3/8" HB	3/8" HB	3/8" HB
Bypass - Hose Barb	5/8" HB	5/8" HB	5/8" HB
Dimensions	7" L x 7.5" W x 6.5" H		
Diaphragm Material	GREENTECH (Std) Buna-N (Opt)		

**Lubrication:** Requires 4 oz. of Udor Lube 40W Premium Pump Oil. Alternate Oil: 30W non-detergent or 15W-40 non-detergent oil.



## TORQUE SPECS

Ref.	Description	Ft./lb.	Nm
1	Diaphragm Bolts (Use Loctite 243)	10	14
2	Head Bolts	10	14
3	Pulsation Dampener Bolts	10	14
4	Inlet Flange Bolts	-	-
5	Bearing Flange Bolts	7	10
6	Oil Cup Bolts	-	-
7	Valve Cover Bolts	-	-

